



Allumio

Lighting Design

Neon 2515 Series



Neon 2515 Series

The Neon Series is a sophisticated and more durable alternative to LED tape. This is a great option where visible as it has a soft and uniformed luminance with no light spot.



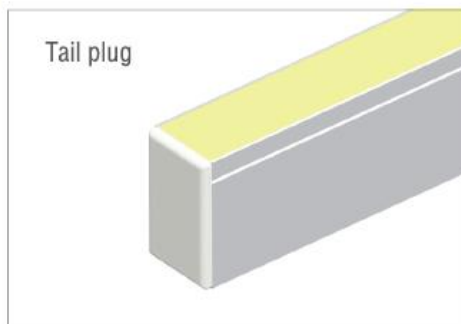
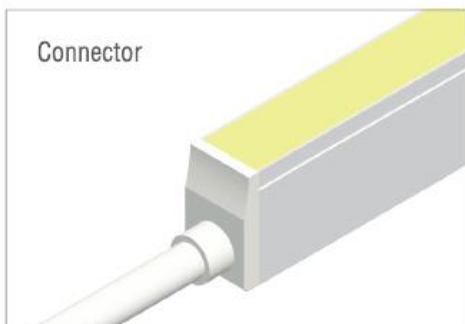
- Built for extreme environments
- 30 watts per metre
- DC24V
- CRI>80
- Cree chip 5050
- 3 Step MacAdam Ellipse
- Size (mm) 25 x 15
- Working Temperature -20 ~ 50°C
- IP67
- 3 year warranty

Neon 2515 Series

Neon Series compared with PVC flexible LED strip

Materials	Silicone flexible led strip	PVC flexible led strip	Notes
Main parameters			
Colloid features in -40℃	No crack after 30 days	Totally cracked	The low temperature resistant of silicone is superior than PVC or epoxy materials
Colloid features in 120℃	No obvious change after 72 hours	Colloid changed into yellow and deformed after 2 hours	The high temperature resistant of silicone is superior than PVC or epoxy
Colloid features in 180℃	No obvious change after 72 hours	Colloid changed into brown and some melted after 20 minutes	Over 150℃ , PVC is easily hydrolyzed, Viscosity becomes weaken and easily separated
Steadily lighted in Seawater for 72 hours	No obvious change	Serious atomization on the surface	The waterproof grade of silicone led strip can reach to IP67, high resistance to acidic alkali and salt properties
Thermal conductivity	Good thermal conductivity	No thermal conductivity	Pvc and epoxy cannot conduct heat, while silicone has good thermal conductivity

Injection-moulded connector



Connects light to power supply with pre-installed bottom feed cable, cable length available in 0.3m.

Neon 2515 Series



ALLUMIO NEON 2515 TAPE LIGHTING

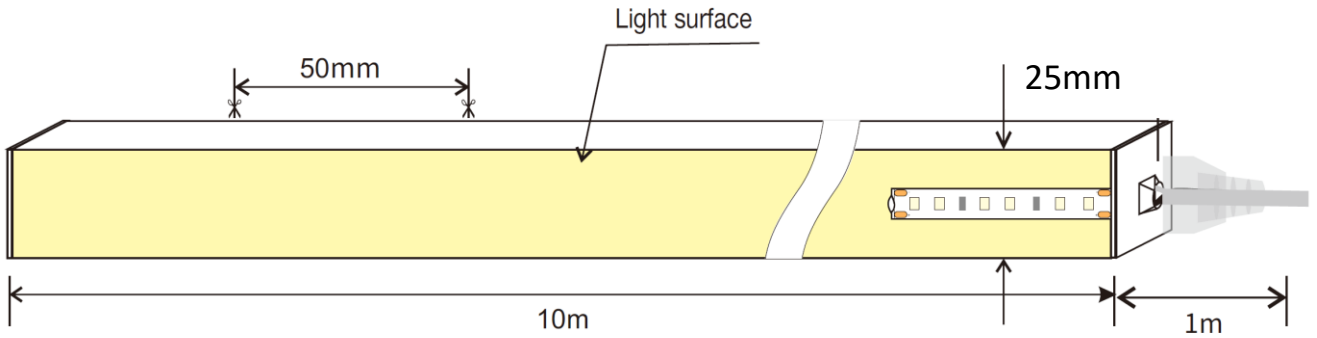
WATTAGE	30w		
BEAM ANGLE			
Luminous P/M	1195lm	1255lm	1365lm
CCT	3k 3000k	4k 4000k	6k 6000k

Code Chart

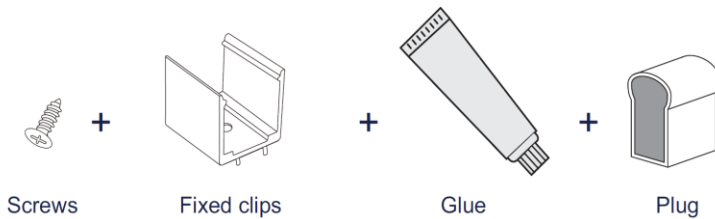
Range Name	Wattage	Colour Temperature	Luminous
NEON2515 -	30	4	1255

NEON2515-3041255

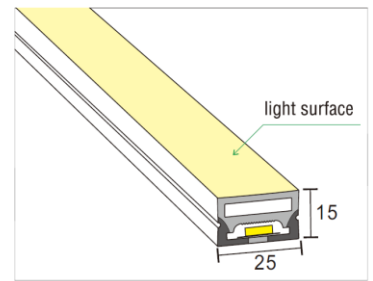
Neon 2515 Series



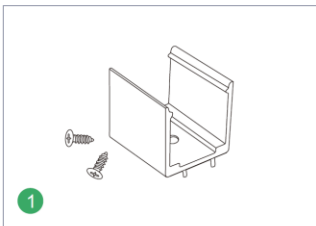
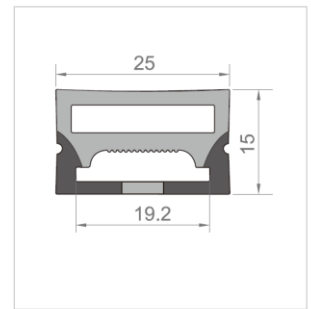
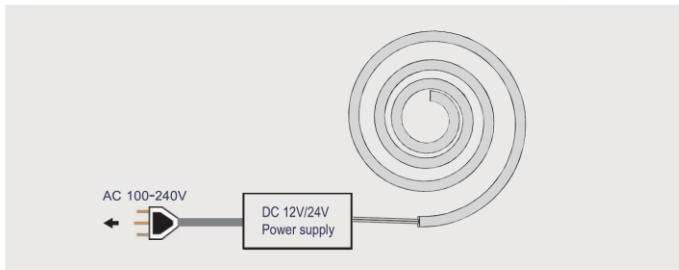
Installation Accessories



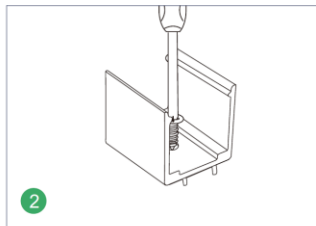
Structure & size



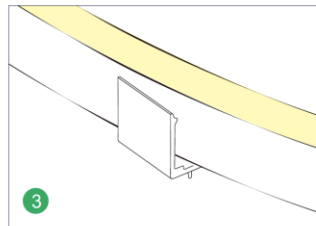
Installation Instructions



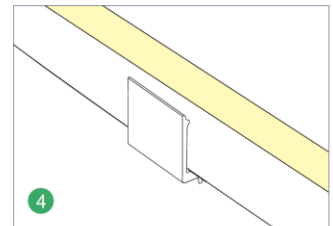
Prepare the screws and fixed clips



Adjust the fixed clips to the appropriate place, use a screwdriver to fix the screw.



Put the light emitting surface upwards, then insert the LED strip into the fixed clip.



Fix the LED strip completely into the fixed clip, LED strip surface must be parallel to the top edge of the fixed clip.

