

Electrical Parameters

Power: 9.5W - 80W
Input Voltage: 220-240V 50/60Hz
Power Factor: 0.95, Flicker Free
IP Rating: IP40 (IP56 and IP65 optional)
Dimmable: Phase Cut, 1-10v, Dali
Fitted with 1.5m Flex & Plug
Certificates: CE, ROHS, SAA
Standards: EN 55015:2006+A1:2007+A2:2009
/
EN 61000-3-2:2006+A1:2009+A2:2009 /
EN 61000-3-3:2008/EN 61547:2009
Cyanosis Observation index <2.0
Certified by Lighting Lab International with
NATA accredited test report



Photometric Parameters

CRI: ≥ 90 Ra
Beam Angle: 24° , 40° , 60° , Opal Diffused
Colour Temperatures: 4000k



Lifetime

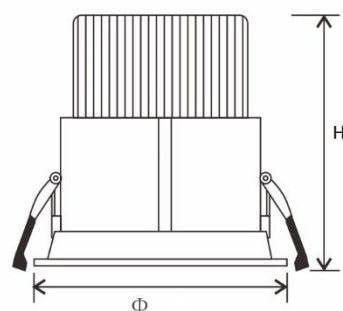
Lifetime (F50): 50,000 hrs
Lumen maintenance (L70): 50,000hrs
Min/Max operating Temp -20°C /+40°C



General Information

Body Material: Die-cast Aluminium
 Reflector: Aluminium Faceted Reflector
 Lens: Clear glass, opal diffuser
 AC Power Wire: H03VV-F 3*0.75mm²
 DC Power Wire: H03VV-F 2*0.5mm²
 Product Colour: White Trim (Other trim colour options on request)

Product Dimensions



Watt	Φ /mm	H/mm	Cutout/mm
5-8w	Φ 95	102	70
9.5-14w	Φ 115	116	95
20-30w	Φ 160	136	140
40-50w	Φ 185	156	160
60-70w	Φ 230	175	200
80w	Φ 285	200	260

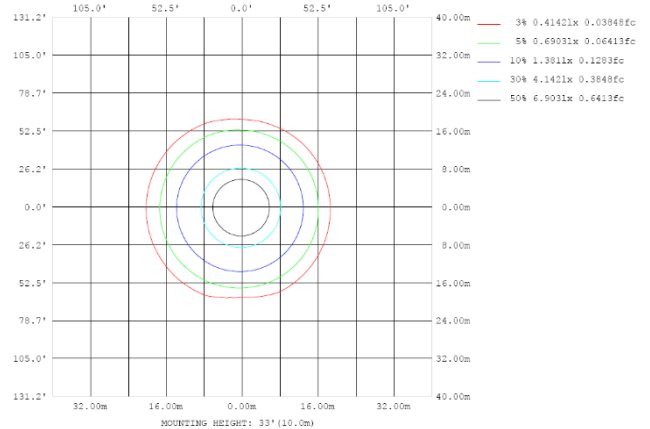
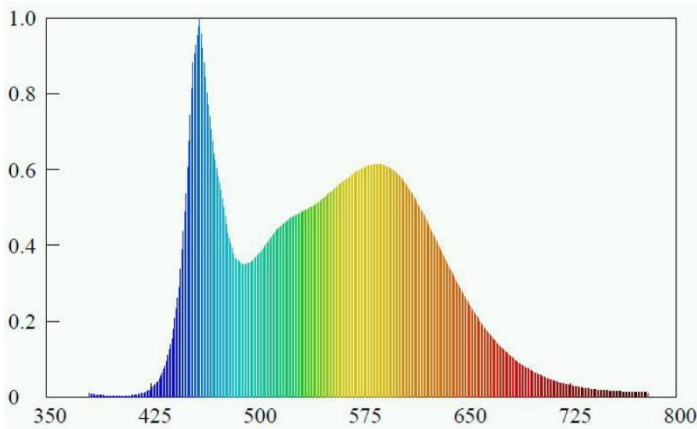
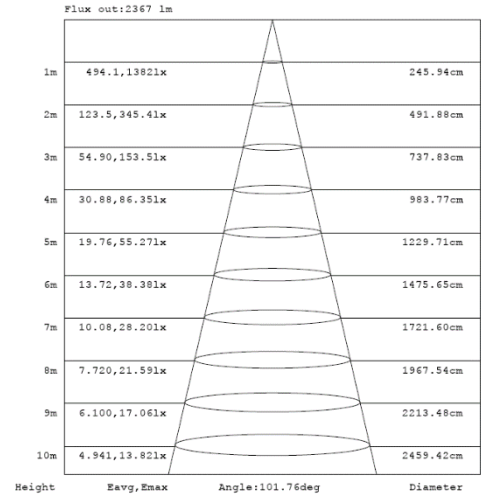
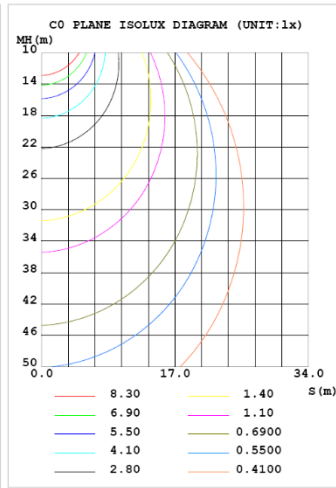
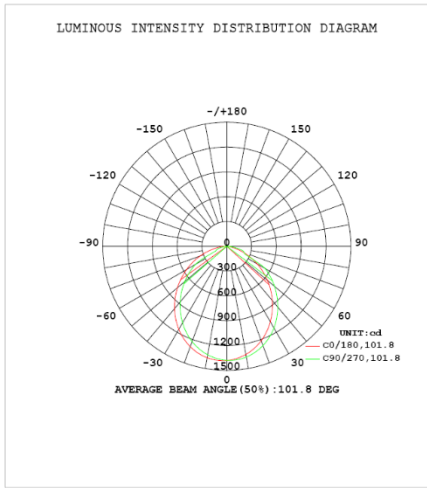
Order Codes

Change code to suit required specification:
 Beam Angle **xx** – Beam Angle (24° / 45° / 60° / Op)
 Optional IP rating, add suffix: **IP56 / 65**
 Dimmable Suffix **-TD** (Triac), **-10V** (1-10V), **-Dali** (Dali)
 Example: “DL-CYANOSIS-14W-4K-60-IP56-DALI”



Alpha Code	Watts	Colour Temp.	Lumen Output	Diameter (mm)	Cutout (mm)
DL-CYANOSIS-9W-4K-EL	9.5W	4000k	1000Lm	115	95
DL-CYANOSIS -14W-4K-EL	14W	4000k	1550Lm		
DL-CYANOSIS -20W-4K-EL	20W	4000k	2200Lm	160	140
DL-CYANOSIS -25W-4K-EL	25W	4000k	2750Lm		
DL-CYANOSIS -30W-4K-EL	30W	4000k	3300Lm		
DL-CYANOSIS-40W-4K-EL	40W	4000k	4400Lm	185	160
DL-CYANOSIS-45W-4K-EL	45W	4000k	4950Lm		
DL- CYANOSIS-50W-4K-EL	50W	4000k	5500Lm	230	200
DL- CYANOSIS-60W-4K-EL	60W	4000k	6600Lm		
DL- CYANOSIS-70W-4K-EL	70W	4000k	7700Lm		
DL- CYANOSIS-80W-4K-EL	80W	4000k	8800Lm	285	260

Luminous Intensity Distribution (30W)



(40W)

