

Electrical Parameters

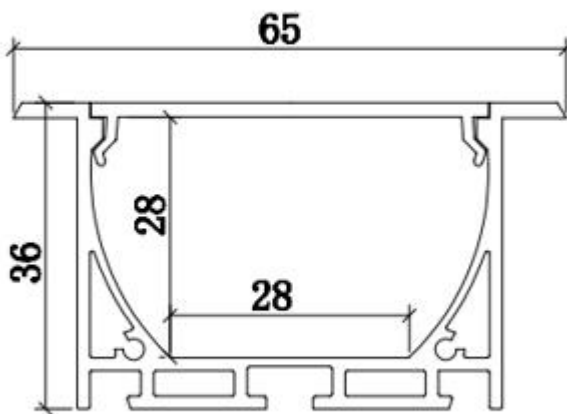
Power: 24W/Per metre
Input Voltage: 220-240V 50/60Hz
Power Factor: 0.95, Flicker Free
IP Rating: IP40
Dimmable: Phase Cut, 1-10v, Dali
Certificates: CE, ROHS, SAA
Standards: EN
55015:2006+A1:2007+A2:2009 /
EN 61000-3-2:2006+A1:2009+A2:2009 /
EN 61000-3-3:2008/EN 61547:2009
Cyanosis Observation Index <2.0
Certified by Lighting Lab International with
NATA accredited test report



Photometric Parameters

CRI: ≥ 90 Ra
Colour Temperatures: 4000k

Product Dimensions



Lifetime

Lifetime (F50): 50,000 hrs
 Lumen maintenance (L70): 50,000hrs
 Min/Max operating Temp -20°C /+40°C

General Information

Body Material: Aluminium
 Reflector: Aluminium Faceted Reflector
 Lens: Opal diffuser

Order Codes

Change code to suit required specification:
 Dimmable Suffix **-TD** (Triac), **-10V** (1-10V), **-Dali** (Dali)
 Example: “EXT-CYANOSIS-24W-4K-EL-DALI”

Order Lengths

Change code to suit required specification:
 EXT-CYANOSIS-24W-4K-EL has a unit measurement of 1 metre
 for greater lengths order in units accordingly.
 Example -for lengths of 3250mm (3.25m) order 3.25 units.

Alpha Code	Watts	Colour Temp.	Lumen Output	Length (mm)	Customised Lengths
EXT-CYANOSIS-24W-4K-EL	24W	4000k	2400Lm	1000	Yes

