



ELEVAGE
LIGHTING / GROUP

Consult. Supply. *Illuminate.*

CYANOSIS



Cyanosis compliant LED luminaires are designed for hospitals to accurately assess a patient's skin colour for early detection of cyanosis, and as per the AS/NZS Standard 1680.2.5, it is mandatory for clinical observation areas to have cyanosis standard lighting installed to assist in the correct and prompt visual diagnosis of cyanosis.

Cyanosis is a blue colouration of the skin and mucous membranes usually associated with a decreased amount of oxygen in the blood.

Our range extends beyond Downlights and Panels to also cover a range of lighting options for surgical suites, corridors and observation rooms.



Cyanosis Downlights

Electrical Parameters

Power: 9.5W - 80W

Input Voltage: 220-240V 50/60Hz

Power Factor: 0.95, Flicker Free

IP Rating: IP40 (IP56 and IP65 optional)

Dimmable: Phase Cut, 1-10v, Dali

Fitted with 1.5m Flex & Plug

Certificates: CE, ROHS, SAA

Standards: EN

55015:2006+A1:2007+A2:2009 /

EN 61000-3-2:2006+A1:2009+A2:2009 /

EN 61000-3-3:2008/EN 61547:2009

Cyanosis Observation index <2.0

Certified by Lighting Lab International with

NATA accredited test report



Photometric Parameters

CRI: ≥ 90 Ra

Beam Angle: 24°, 40°, 60°, Opal Diffused

Colour Temperatures: 4000k



Cyanosis Downlights

Lifetime

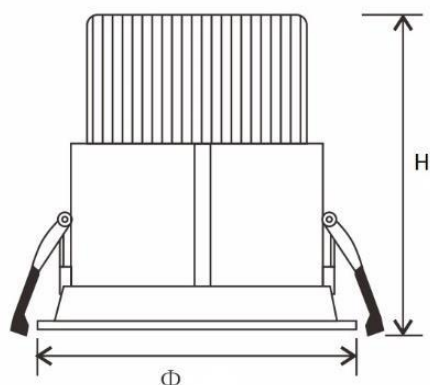
Lifetime (F50): 50,000 hrs

Lumen maintenance (L70): 50,000hrs

Min/Max operating Temp -20°C/+40°C



Product Dimensions



General Information

Body Material: Die-cast Aluminium

Reflector: Aluminium Faceted Reflector

Lens: Clear glass, opal diffuser

AC Power Wire: H03VV-F 3*0.75mm²

DC Power Wire: H03VV-F 2*0.5mm²

Product Colour: White Trim (Other trim colour options on request)

Watt	Φ /mm	H/mm	Cutout/mm
5-8w	Φ 95	102	70
9.5-14w	Φ 115	116	95
20-30w	Φ 160	136	140
40-50w	Φ 185	156	160
60-70w	Φ 230	175	200
80w	Φ 285	200	260

Cyanosis Panels

Electrical Parameters

Power: 40W

Input Voltage: 220-240V 50/60Hz

Power Factor: 0.95, Flicker Free

*Edge lite (600x600mm): 240*0.5W LED*

*Edge lite (1200x300mm): 240*0.5W LED*

IP Rating: Standard IP20 (IP65 available on request)

Dimmable: Optional

Certificates: CE, ROHS, SAA

Standards: EN 55015:2006+A1:2007+A2:2009 /

EN 61000-3-2:2006+A1:2009+A2:2009 /

EN 61000-3-3:2008/EN 61547:2009

Cyanosis Observation Index <2.0

Certified by Lighting Lab International with

NATA accredited test report

High lumen is achieved by using Epistar 2835 LED

Photometric Parameter

CRI: ≥ 90 Ra

Beam Angle: 120°

Colour Temperatures: 4000k

Lifetime

Lifetime (F50): 50,000 hrs

Lumen maintenance (L70): 50,000hrs

Min/Max operating Temp: -20°C/+45°C



Cyanosis Panels

General Information

Body Material: Aluminium frame & plate

AC Power Wire: H03VV-F 3*0.75mm² (for indoor) / H05RN-F 3*1.0mm²(for IP65)

DC Power Wire: H03VV-F 2*0.5mm² (for indoor) / H05RN-F 2*0.5mm² (for IP65)

Product Colour: White Trim Standard (Other trim colour options on request)

LED Plug-In driver with Flex & Plug

Surface Mounted & Plasterboard Trims sold separately

Mitsubishi LGP (PMMA)

Product Dimensions Options



NO.	L/mm	W/mm	H/mm	Cutout/mm
1200*300	1195	95	10	1195*295
600*600	595	595	10	595*595

PL-CYANOSIS-6060-40W-T-UGR-EL



PL-CYANOSIS-3120-40W-T-UGR-EL



Cyanosis Extrusion

Electrical Parameters

Power: 24W/Per metre

Input Voltage: 220-240V 50/60Hz

Power Factor: 0.95, Flicker Free

IP Rating: IP40

Dimmable: Phase Cut, 1-10v, Dali

Certificates: CE, ROHS, SAA

Standards: EN 55015:2006+A1:2007+A2:2009 /

EN 61000-3-2:2006+A1:2009+A2:2009 /

EN 61000-3-3:2008/EN 61547:2009

Cyanosis Observation Index <2.0

Certified by Lighting Lab International
with NATA accredited test report

Lifetime

Lifetime (F50): 50,000 hrs

Lumen maintenance (L70): 50,000hrs

Min/Max operating Temp -20 °C/+40 °C

General Information

Body Material: Aluminium

Reflector: Aluminium Faceted Reflector

Lens: Opal diffuser

Photometric Parameters

CRI: ≥90 Ra

Colour Temperatures: 4000k



Cyanosis Pendant

Electrical Parameters

Power: 40W

Input Voltage: 220-240V 50/60Hz

Power Factor: 0.95, Flicker Free

IP Rating: Standard IP20

Dimmable: DALI dimmable or Optional

Certificates: CE, ROHS, SAA

Standards: EN 55015:2006+A1:2007+A2:2009 /

EN 61000-3-2:2006+A1:2009+A2:2009 /

EN 61000-3-3:2008/EN 61547:2009

Cyanosis Observation index <2.0

Certified by Lighting Lab International with

NATA accredited test report



Photometric Parameters

CRI: ≥ 90 Ra

Beam Angle: 120°

Colour Temperatures: 4000k

High lumen is achieved by using HONGLI TRONIC 2835 LED

Lifetime

Lifetime (F50): 40,000 hrs

Lumen maintenance (L70): 40,000hrs

Min/Max operating Temp $-20^\circ\text{C}/+40^\circ\text{C}$

General Information

Body Material: Aluminium frame & plate

Product Colour: Black / White



HONGLITRONIC



Cyanosis Pendant



Product Dimensions



HONGLITRONIC



Consult. Supply. *Illuminate.*

Elevage Lighting Group
6/8 Murphy St, O'Connor
Perth WA, 6163

sales@elevagegroup.com.au