



ELEVAGE
LIGHTING GROUP

Consult. Supply. *Illuminate.*

**Downlights &
Shop Lighting**

elevagegroup.com.au

TRIC HALO SERIES



COB



FROSTED

Product Features

Dimming available
White Frame
CRI 90

Product Options

- 140mm Cut Out
- Size 170x80mm
- 160mm Cut Out
- Size 192x90mm
- 200mm Cut Out
- Size 230x102mm

Electrical Parameters

Standard Beam Angle 110°
Voltage Range AC100 – 240V
Power factor >0.91
IP20 rated, IP65 available
>50,000 hrs lamp life



TRIC HALOTRIM SERIES

Product Features

Dimming available
White Frame
CRI 90

Electrical Parameters

3 Step MacAdam Ellipse
Bridgelux COB Chip
Standard Beam Angle 45°
Voltage Range AC100 – 240V
Power factor >0.91
IP20 rated, IP65 available
>50,000 hrs lamp life



Product Options

- 28w
- 43w
- 165mm Cutout
- 205mm Cut Out



TRIC ZENO SERIES

Product Features

- White Frame
- CRI 90
- Dimming available
- CREE Chip
- 3 Step MacAdam Ellipse
- Standard Beam Angle 60°



Electrical Parameters

- UGR<19
- Voltage Range AC200 – 240V
- Power factor >0.91
- IP20 rated
- >50,000 hrs lamp life



TRIC CONE SERIES

Product Features

- Dimming available*
- White Frame*
- CRI 90*

Electrical Parameters

- Standard Beam Angle 60°*
- Voltage Range AC100 – 240V*
- Power factor >0.91*
- IP20 rated*
- >50,000 hrs lamp life*



Product Options

- *90mm Cut Out*
- *115mm Cut Out*
- *140mm Cut Out*
- *Size 110x75mm*
- *Size 130x96mm*
- *Size 158x106mm*
- *165mm Cut Out*
- *210mm Cut Out*
- *Size 182x118mm*
- *Size 230x130mm*



TRIC VIVA SERIES

Product Features

- White or Black Frame
- CRI 90
- Standard Beam Angle 50°
- CREE Chip
- 3 Step MacAdam Ellipse



Electrical Parameters

- Voltage Range AC100 – 240V
- 100 lumens per watt
- Power factor >0.91
- IP20 rated
- >50,000 hrs lamp life



TRIC EYE SERIES

Product Features

- 92mm Cut Out
- Size 110x80mm
- Chip on Board technology (COB)
- Triac Dimming available
- White Frame
- CRI 90

Electrical Parameters

- Voltage Range AC200 – 240V
- Power factor >0.90
- IP20 rated
- >50,000 hrs lamp life



TRIC PERISCOPE SERIES

Product Features

- Aluminium White Frame
- CRI 90
- Bridgelux COB Chip
- SCDM>3
- Dimming Available - Triac / Dali
- Square Frame available in single and double luminaire fittings



Electrical Parameters

- Voltage Range AC100 – 240V
- Power factor >0.91
- IP20 rated
- >50,000 hrs lamp life
- Beam Angles Available
12°, 24°, 40°



TRIC PIXIE SERIES

Product Features

- 85mm Cut Out
- Size 100x85mm
- Cree Chip
- Dimming available
- White Frame
- CRI 90



Electrical Parameters

- Standard Beam Angle 22°
- Voltage Range AC200 – 240V
- Power factor >0.91
- IP20 rated
- >50,000 hrs lamp life



TRIC ROTATE SERIES

Product Features

- 355° Rotatable*
- Adjustable titling housing*
- Dimming available*
- White Frame*
- CRI 90*
- 3 Step MacAdam Ellipse*
- Cree Chip*



Electrical Parameters

- Standard Beam Angle 15°, 24°, 38°, 60°*
- Voltage Range AC200 – 240V*
- Power factor >0.91*
- IP20 rated*
- >50,000 hrs lamp life*



TRIC SHOPPIE SERIES



Product Features

Cutout 225x127mm
Size 240x150x60mm
White Frame
Beam angle 120°
60° adjustable angle

Electrical Parameters

Voltage Range AC100 – 265V
Switching only
>50,000 hrs lamp life
Power factor >0.91



TRIC SPEAKER SERIES

Product Features

- White Frame
- 120mm Cutout
- Size 142 x 92mm
- Switching Only
- CREE Chip
- CRI>80
- Standard Beam Angle 50°



Electrical Parameters

- Voltage Range AC200 – 240V
- Power factor >0.91
- IP20 rated
- >25,000 hrs lamp life

Speaker Features

- 5w Speaker
- Multiple speakers creates stereo sound
- 10 metre transmission barrier
- Speakers operate with lighting off



CAPELLA SERIES

The Capella Series is suitable for various applications. Its modern lines create a focal light point while adding to the aesthetics of the space.



- ❖ *Available in White and Black Frame*
- ❖ *90 lumens per watt*
- ❖ *CR>180*
- ❖ *Power Factor >0.90*
- ❖ *>50,000 hrs lamp life*
- ❖ *Dali dimming option*
- ❖ *Aluminium frame*
- ❖ *IP65 available*



CAPELLA SERIES

The Pallas Series is a modern stylistic fitting allowing flexibility making it suitable for a variety of applications. Its gimbed luminaires allow you to multi focus this fitting making it perfect for retail, while also atheistically working well in malls, office space or galleries.



- ❖ White Frame
- ❖ Available Single, Double & Triple Fixtures
- ❖ COB LED
- ❖ CREE Chips
- ❖ Tridonic Driver
- ❖ Dali Available
- ❖ 100 Lumens Per Watt
- ❖ Size 300 x 60mm
- ❖ CRI>90
- ❖ 3 Step MacAdam Ellipse
- ❖ Beam Angles 15°, 24°, 36°
- ❖ Voltage Range AC200 – 240V
- ❖ Power factor >0.91
- ❖ IP20 rated



HOTERU SERIES

The Hoteru Series has been created for use in areas where a restricted beam or ambient lighting is required. Its modern lines create a focal light point while adding to the aesthetics of the space.



- ❖ *3 Step MacAdam Ellipse*
- ❖ *90 lumens per watt*
- ❖ *CRI>90*
- ❖ *Power Factor >0.90*
- ❖ *Cree Chip*
- ❖ *Lifud Driver*
- ❖ *90mm cutout*
- ❖ *>50,000 hrs lamp life*
- ❖ *Dali dimming option*
- ❖ *Aluminium frame*



ASPIRE DOWNLIGHT

Electrical Parameters

Power: 6W - 80W

Input Voltage: 220-240V 50/60Hz

Power Factor: 0.95, Flicker Free

IP Rating: IP40 (Optional IP56 and IP65)

Dimmable: Phase Cut, 1-10v, Dali

Fitted with 1.5m Flex & Plug

Certificates: CE, ROHS, SAA

Standards: EN 55015:2006+A1:2007+A2:2009 /

EN 61000-3-2:2006+A1:2009+A2:2009 /

EN 61000-3-3:2008/EN 61547:2009



Photometric Parameters

CRI: ≥80 ≥90 Ra

Beam Angle: 15 ° , 24 ° , 40 ° , 60 ° , Opal Diffused

Colour Temperatures: 3000k / 4000k / 5000k



High lumen is achieved using Cree CXA 2540

Lifetime

Lifetime (F50): 50,000 hrs

Lumen maintenance (L70): 50,000hrs

Min/Max operating Temp: -20 °C / +40 °C

Warranty: 5 years



ASPIRE DOWNLIGHT

General Information

Fascia Material: Die-cast 6063 Aluminium

Heatsink Material: Cold forged 1060 Alumium

Reflector: Aluminium Faceted Reflector

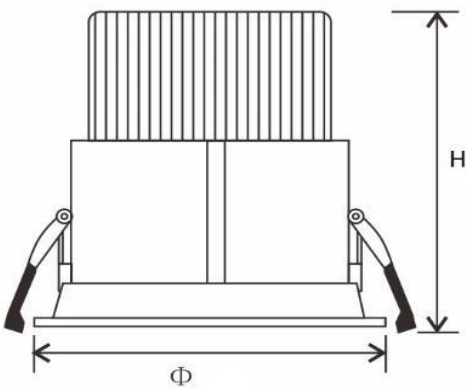
Lens: Clear glass or opal diffuser

*AC Power Wire: H03VV-F 3*0.75mm²*

*DC Power Wire: H03VV-F 2*0.5mm²*

Product Colour: White Trim (Other trim colour options on request)

Product Dimensions



Watt	Φ/mm	H/mm	Cutout/mm
6-9w	Φ 95	102	75
9.5-14w	Φ 115	116	95
20-30w	Φ 160	133	140
35-50w	Φ 160	153	140
35-55w	Φ 185	136	160
60-80w	Φ 230	176	200
60-80w	Φ 285	210	255

DAZZLE DOWNLIGHT

Product Features

White Trim, other colours on request

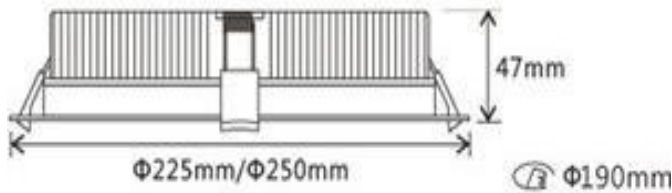
100 ° Beam Angle

CRI > 80

190mm cut out

No down light canister required (IC-4)

Product Dimensions



SPECIFICATION	20w / 30w
Colour Temperature	3000k / 4000k / 5000k
Diameter	225mm / 250mm
Lumen (lm)	>2,000 ~ 4200Lm
Efficiency (Lm/w)	>100 ~ 123Lm/w
Light Source	SMD LED, CRI >80 Ra
Beam Angle	100°
Dimmable	Optional
Power Requirement	AC 220-240V 50/60Hz, Flicker Free Driver, 0.95 PF
Housing	Aluminium with PMMA face
Lifespan	> 50,000 hours (L70)
Operation Temperature	-20°C~+45°C
Dimension (mm)	225 / 250 (D) × 47 (H)
Protection Rating	IP44 (IP65 by special order)
Warranty	5 Years



FLARE DOWNLIGHT

The LED FLARE Downlight Series offers an efficient, low energy, high output and low-glare alternative to low voltage halogen downlights.

Electrical Parameters

Power: 9.5W - 14W

Input Voltage: 220-240V 50/60Hz

Power Factor: 0.95, Flicker Free

IP Rating: IP20 (optional IP65)

Dimmable: Yes

Fitted 1.5M Flex & Plug

Certificates: CE, ROHS, SAA, IC4

Standards: EN 55015:2006+A1:2007+A2:2009/

EN 61000-3-2:2006+A1:2009+A2:2009/

EN 61000-3-3:2008/EN 61547:2009



Photometric Parameters

LED: Cree CXA COB

CRI: ≥ 80 Ra

Beam Angle: 60 (Optional 40 °)



FLARE DOWNLIGHT

Lifetime

Lifetime (F50): 40,000 hrs

Lumen maintenance (L70): 40,000hrs

Warranty: 5 years

Min/Max operating temp: -20 °C / +45 °C

General Information

Body Material: Extruded Aluminium

Reflector: Aluminium Facetted Reflector

Lens: Glass

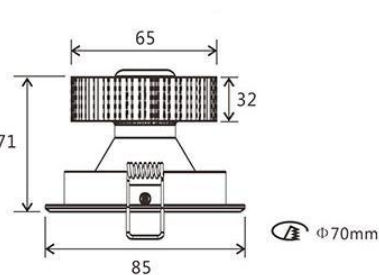
AC Power Wire: H03VV-F 2*0.75mm² / DC Power Wire: H03VV-F 2*0.5mm²

Product Trim: Round fixed or tilt.

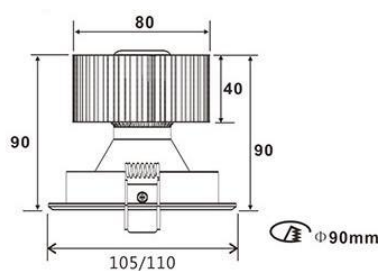
Product Colour: White Trim (Standard). Others on request.

Product Dimensions

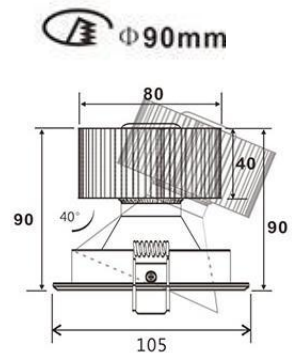
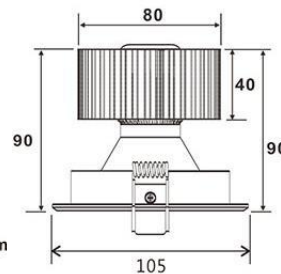
*9.5W Fixed:



*9.5w/14W Fixed:



*9.5W/14W Tiltable:



RGBW DOWNLIGHT

General Information

The RGBW Downlights operate on the same app as our RGBW Flood range allowing you to match the colours across the range.



Electrical Parameters

Standard Beam Angle 110°
Voltage Range AC200 – 240V
Power factor >0.91
IP20 rated

Product Features

10 watts
White Frame
110mm Cutout
Size 140 x 92mm
Switching Only
CRI>80



Consult. Supply. *Illuminate.*

Elevage Lighting Group
6/8 Murphy St, O'Connor
Perth WA, 6163

sales@elevagegroup.com.au