

Electrical Parameters

Power: 50W - 200W
Input Voltage: 220-277V 50/60Hz
Power Factor: 0.95
IP Rating: IP65, Impact Rating: IK08
Certificates: CE, ROHS, SAA
Standards: EN
55015:2006+A1:2007+A2:2009
EN 61000-3-2:2006+A1:2009+A2:2009
EN 61000-3-3:2008/EN 61547:2009

Photometric Parameters

CRI: ≥ 80
Beam Angle: $150^{\circ} \times 75^{\circ}$ Asymmetric wide
Other beam angles: 30° / 60° / 90° by special
Colour Temperatures: 5000K, 4000K
3000k, Amber by special order



Lifetime

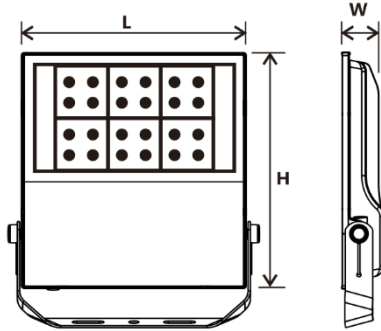
Lifetime (F50): 50,000 hrs
Lumen maintenance (L90): 50,000hrs
Warranty: 5 years
Min/Max operating Temp: $-20^{\circ}\text{C} \sim +50^{\circ}\text{C}$

General Information

Body Material: Die Cast aluminium ADC12
Lens: Glass
AC Power wire: H05RN-F 3-1.0mm²
DC Power wire: H05RN-F 2*0.5mm²
Housing Colour: Black/Light Grey
Driver: PFC/LLC Combo Topology
Surge Protection: 20kV



Product Dimensions



Watt	L (mm)	W (mm)	H (mm)
50W/80W	255	54	250
100W-200W	382	60	355

Order Codes

Order Code	Watt	Colour Temp.	Lumen Output	Product Weight	Outer Packing Dimensions	Box Gross Weight
FL-JP50W-3K-90/15075-BLK	50W	3000K		3.5kg	330*115*390mm	4.20 kg
FL-JP50W-4K-90/15075-BLK	50W	3000K				
FL-JP50W-5K-90/15075-BLK	50W	5000K	6,868 lm			
FL-JP80W-3K-90/15075-BLK	80W	3000K		3.5kg	330*115*390mm	4.20kg
FL-JP80W-4K-90/15075-BLK	80W	4000K				
FL-JP80W-5K-90/15075-BLK	80W	5000K	10,452 lm			
FL-JP100W-5K-90/15075-BLK	100W	5000K	13,802 lm	4.56kg	360*190*490mm	5.35 kg
FL-JP120W-5K-90/15075-BLK	120W	5000K	16,822 lm	4.56kg	360*190*490mm	5.35kg
FL-JP150W-5K-90/15075-BLK	150W	5000K	20,551 lm	6.55kg	465*190*490mm	7.35kg
FL-JP200W-5K-90/15075-BLK	200W	5000K	29,246 lm	6.55kg	465*190*490mm	7.35kg

*Amber, 3000k and 4000k available by special order.

**Housing also available in Light Grey

