

PREMIUM UGR <19 T-BAR PANEL range of LED luminaires are designed to suit standard metric suspended ceilings. Suitable also for surface or plasterboard mounts. 2-Sided edgelit, Mitsubishi LGP lens, microprismatic diffuser for low-glare UGR <19 and high quality 2-stage, flicker free driver. Also available in Cyanosis option for hospital and medical use.



- Single colour - 3000K, 4000K, 5000k, Cyanosis
- 2-Stage, flicker-free driver technology
- Edgelit design (2-sided)
- High lumen intensity
- 120° Beam angle
- White trim, aluminium frame and plate
- Optional dimming- Triac, 1-10V, Dali
- IP20, optional IP54 or IP65
- Four sizes:
 - ▶ 595 x 295mm
 - ▶ 595 x 595mm
 - ▶ 1195 x 295mm
 - ▶ 1195 x 595mm





Premium UGR <19 Panel

Double-sided edgelit technology ensures long life and high performance. Suitable for use in company offices, hospitals, operating theatres, clean rooms.

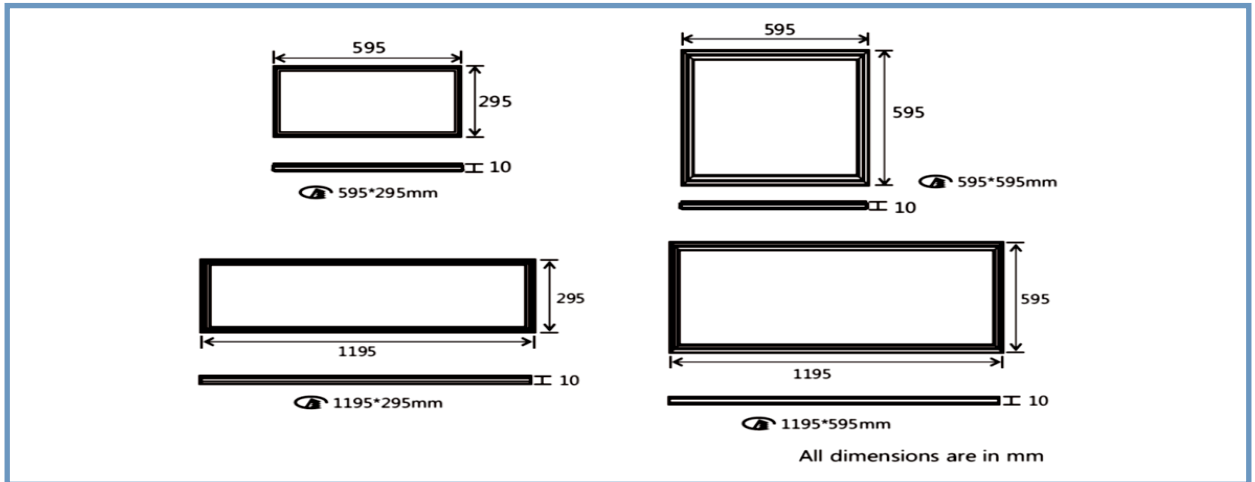
Recess, surface mount or suspend.

SPECIFICATIONS

Colour temperature	3000K, 4000K, 5000K, medical grade Cyanosis
Lumen	1,850 ~ 5,414lm
Power consumption	20W ~ 60W
Light source	595x295, 595x595, 1195x295mm: 240*0.2W LEDs 1195x595mm: 360*0.5W LEDs
Beam angle	100°
CRI	≥80 Ra (COI ≥90 Ra)
Driver	2-Stage technology, flicker free, PF: 0.95
Power requirement	AC 220 ~ 240V
Dimmable	Optional Triac, 1-10V, Dali
Operating temperature	-20°C ~ 45°C
Lifespan	>50,000 hours (L70)
Housing and lens	Aluminium frame and plate LGP: Mitsubishi PMMA 3.0mm Optical diffuser plate 1.5mm PS diffuser, White reflector 0.6mm PET, Rubber mat 4mm
Mounting method	T-Bar ceiling, plaster recess, surface mount, pendant wire
Protection rating	IP20 (IP54 and IP65 optional)
Warranty	5 Years
Standards	EN 55015:2006+A1:2007+A2:2009/EN 61000-3-2:2006+A1:2009+A2:2009/ EN 61000-3-3:2008/EN 61547:2009

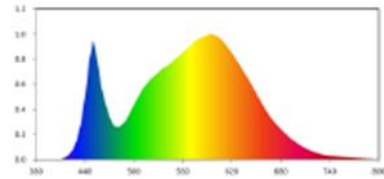
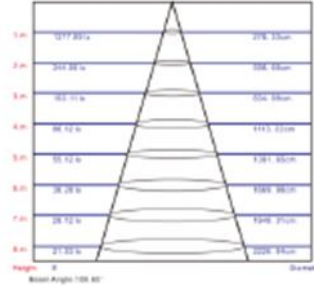
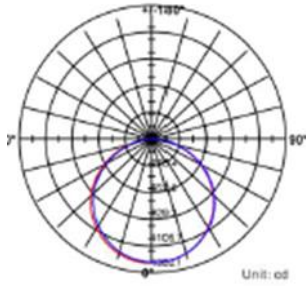
*UGR value is not really a property of a luminaire, depend on the brightness level of the luminous surface of a luminaire in relation to the brightness level of the surroundings and the position and viewing angle of the observer.





CODE	WATTS	COLOUR TEMP	LUMENS	PRODUCT WEIGHT
595x 295mm				
DPL-3060-20W-3K-UGR	20W	3000K	1,850lm	1.88kg
DPL-3060-20W-4K-UGR	20W	4000K	1,950lm	
DPL-3060-20W-5K-UGR	20W	5000K	2,050lm	
595 x 595mm				
DPL-6060-30W-3K-UGR	30W	3000K	3,000lm	3.3kg
DPL-6060-30W-4K-UGR	30W	4000K	3,220lm	
DPL-6060-30W-5K-UGR	30W	5000K	3,350lm	
DPL-6060-40W-3K-UGR	40W	3000K	4,000lm	
DPL-6060-40W-4K-UGR	40W	4000K	4,220lm	
DPL-6060-40W-5K-UGR	40W	5000K	4,350lm	
1195 x 295mm				
DPL-3120-30W-3K-UGR	30W	3000K	3,050lm	3.5kg
DPL-3120-30W-4K-UGR	30W	4000K	3,200lm	
DPL-3120-30W-5K-UGR	30W	5000K	3,350lm	
DPL-3120-40W-3K-UGR	40W	3000K	4,000lm	
DPL-3120-40W-4K-UGR	40W	4000K	4,220lm	
DPL-3120-40W-5K-UGR	40W	5000K	4,350lm	
DPL-3120-50W-3K-UGR	50W	3000K	4,500lm	
DPL-3120-50W-4K-UGR	50W	4000K	4,650lm	
DPL-3120-50W-5K-UGR	50W	5000K	4,800lm	
1195 x 595mm				
DPL-6120-55W-3K-UGR	55W	3000K	5,000lm	5.81kg
DPL-6120-55W-4K-UGR	55W	4000K	5,200lm	
DPL-6120-55W-5K-UGR	55W	5000K	5,414lm	

Luminous Intensity Distribution (600 x 600mm)



(1200 x 300mm)

