

tric CITY-ROADWAY Series



The eLEDtric City Series delivers unparalleled design freedom, maximum energy efficiency and unrivalled optical and brightness control. In addition to their striking form and seamless construction, the City Series blends high performance optics, control, scalability and mounting options to cover more applications and enhance their environment.

All housing componentry are constructed with die cast aluminium for superior durability. One piece silicone gaskets enable an IP66 rated optical compartment and assured optical integrity over time.

All components inside the housing are secured with Stainless steel hardware and the series maintains a 3G vibrations rating.

The diffused lens configuration offers exceptional performance and uniformity by limiting glare and brightness. The lumen output ranges from 3,000lm to 10,000lm which makes this series an ideal option for all open space applications.

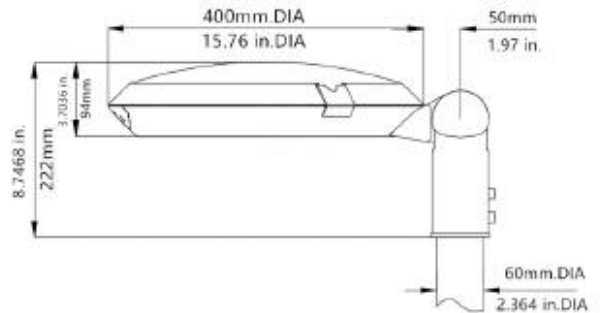
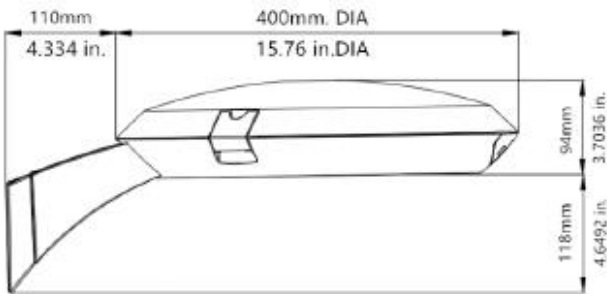
tric CITY-ROADWAY Series



- *Dynamic thermal regulation protects the LEDs and electronics under extreme temperatures*
- *Replaceable driver unit and control gear*
- *0-10v and 1-10v dimmable, DALI control, timing dimmable, Zigbee for smart city management*
- *Photo sensor control 3P, 5P, 7P NEMA socket and twist lock receptacle*
- *Microwave motion sensor with tri-level and 3 step dimming*
- *Common mode surge protection 6kv and customized up to 10KA and 20KA options*
- *Die cast aluminium optical assembly, lid, body and arms to 4mm thickness*
- *Dynamic thermal regulation protects the LEDs and electronics under extreme temperatures*
- *Replaceable driver unit and control gear*
- *0-10v and 1-10v dimmable, DALI control, timing dimmable, Zigbee for smart city management*
- *Photo sensor control 3P, 5P, 7P NEMA socket and twist lock receptacle*
- *Microwave motion sensor with tri-level and 3 step dimming*
- *Common mode surge protection 6kv and customized up to 10KA and 20KA options*
- *Die-cast aluminium optical assembly, lid, body and arms to 4mm thickness*

tronic CITY-ROADWAY Series

- High visual glare free comfort - SDCM<3
- High performance optics and uniform light distribution
- Luminaire output efficacy up to 125LPW
- Standard CRI 70, Customisable to CRI 80 and 90
- CCT 2,700-3,000k, 3,700-4,000k, 4,700-5,000k, 5,400-5,700k
- BUG ratings from B2-U0-G1 to B3-U1-G1
- Effective Projected Area (EPA) from 0.46 to 0.83 Sq. Ft
- LED driver and electrical componentry are directly mounted to the upper housing thermal pad for optimal thermal performance
- Input voltage 100-277ac 50/60Hz
- PF>0.92 at full load, THD<10% at full load
- Integral 6kV surge protection (DALI version 10kV) customisable 10kA, 20kA and SPD
- Open circuit fault will switch off luminaire to protect sensitive electronics and as a maintenance signal
- Replaceable driver unit and control gear
- Automatic power off when fixture is opened



tric CITY-ROADWAY Series

- *0-10V and 1-10V dimmable, dimming range from 10-100% through standard 0-10V interface*
- *DALI control dim to off*
- *3 mode timer dimmable*
- *3P NEMA socket and twist lock receptacle with photo sensor control – on/off*
- *5P NEMA socket and twist lock receptacle with photo sensor control – tri level dimming*
- *7P NEMA socket and twist lock receptacle with photo sensor control – DALI*
- *7P NEMA socket and twist lock receptacle with Zigbee control gear – wireless communication*
- *Integrated microwave sensor – on/off*
- *Detached dimming and occupancy microwave motion sensor – tri level dimming*
- *Intelligent and Smart City management compatible*
- *Side entry mount for 60mm OD pole, customisable to 40mm and 50mm*
- *Bracket adjustable angle 0-90°*
- *Arm mount to 60mm and 76mm round pole*
- *Arm mount to any square pole*
- *Arm mount to wall*
- *Secured via two sets of concealed stainless steel screws.*
- *Suggested installation height 2.5m to 6m*
- *Tool-less opening for easy onsite maintenance*
- *AISI 304 stainless steel external screws*
- *Screw connection block or an optional external IP connector*
- *Pole Top standard 0.5m outlet input cable, customized lengths available*
- *Roadways standard 1.0m outlet input cable, customized lengths available*
- *Cantenary standard 0.3m outlet input cable, customized lengths available*

tric CITY-ROADWAY Series

- IP66
- IK10
- Operating temp -20°C to 45°C
- CE – EMC
- CE-LVD
- SAA
- C-tick
- IEC
- ELT
- DLC

Model	Power	Colour Temp
tric CITY-ROADWAY.24W.3K	24w	3000k
tric CITY-ROADWAY.24W.4K	24w	4000k
tric CITY-ROADWAY.24W.5K	24w	5000k
tric CITY-ROADWAY.24W.6K	24w	6000k
tric CITY-ROADWAY.35W.3K	35w	3000k
tric CITY-ROADWAY.35W.4K	35w	4000k
tric CITY-ROADWAY.35W.5K	35w	5000k
tric CITY-ROADWAY.35W.6K	35w	6000k
tric CITY-ROADWAY.58W.3K	58w	3000k
tric CITY-ROADWAY.58W.4K	58w	4000k
tric CITY-ROADWAY.58W.5K	58w	5000k
tric CITY-ROADWAY.58W.6K	58w	6000k

