

tric SPEAKER Series



- White Frame
- 120mm Cutout
- Size 142 x 92mm
- Switching Only
- CREE Chip
- CRI>80
- Standard Beam Angle 50°
- Voltage Range AC200 – 240V
- Power factor >0.91
- IP20 rated
- >25,000 hrs lamp life

- 5w Speaker
- Multiple speakers creates stereo sound
- 10 metre transmission barrier
- Speakers operate with lighting off



Model	Power	Lumens	Colour Temp	Beam Angle
tric DL-SPEAKER10W3K.24	10w	700lm	3000k	24°
tric DL-SPEAKER10W4K.24	10w	700lm	4000k	24°
tric DL-SPEAKER10W6K.24	10w	700lm	5000k	24°
tric DL-SPEAKER10W3K.36	10w	700lm	6000k	36°
tric DL-SPEAKER10W4K.36	10w	700lm	3000k	36°
tric DL-SPEAKER10W6K.36	10w	700lm	4000k	36°



digital bluetooth device



Bluetooth game device



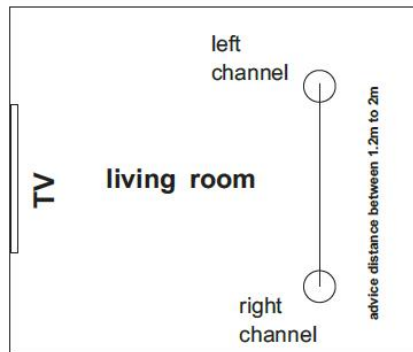
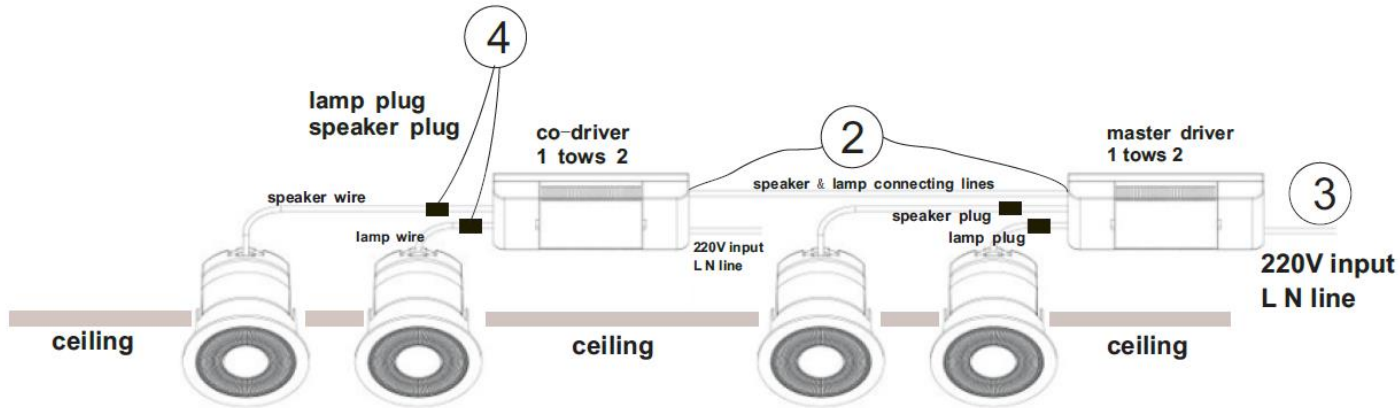
bluetooth TV



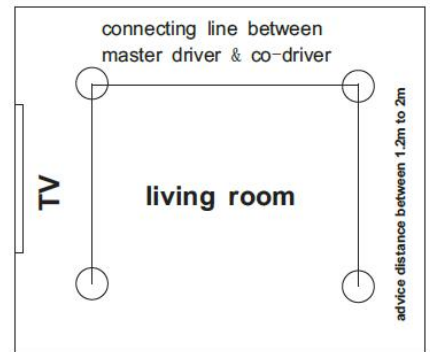
tronic SPEAKER Series

Installation

1. Cutout to 120mm
2. Connect the light and speaker to the master driver output end directionally (Driver is clearly marked)
3. Driver connected to AC220-240V
4. Connect the light and speaker to the master driver output end directionally (Driver is clearly marked)
5. Connect to power and Bluetooth to operate lighting and speakers



one tows two
installation instruction



two tows four
installation instruction

Operating Instructions

1. Turn the light/s on, using a smart device to perform a Bluetooth search and connect (Bluetooth name can be modified). Password will be either 1234 or 0000.
2. If the connection fails, turn off the light for 10 seconds to allow to reset.
3. Speaker/s will now operate.
4. To use the speakers with the lights off, switch the lights "off-on" in quick succession (within 2 seconds) and the lights will stay off with the speakers being playable.
5. Connect to power and Bluetooth to operate lighting and speakers